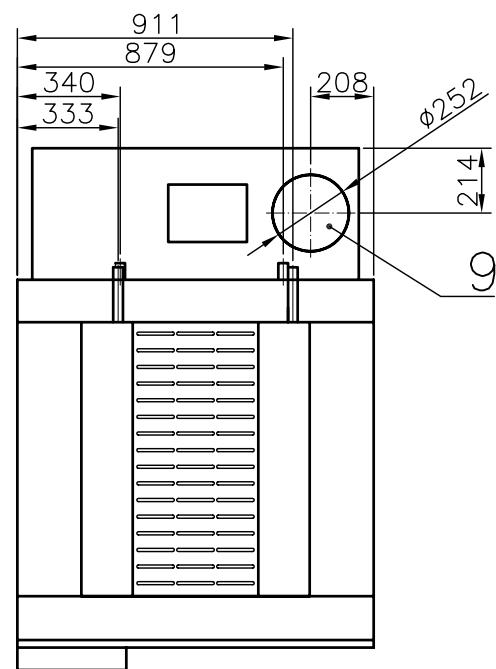
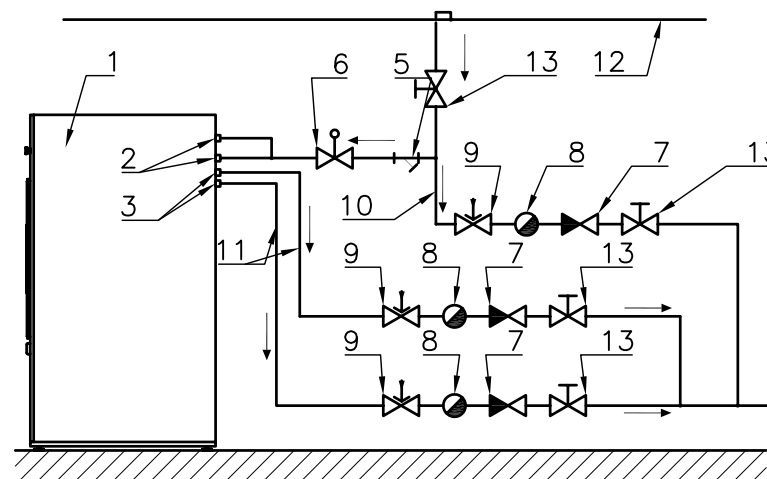


LEGEND

1. Electronic control
2. -
3. Emergency stop button
4. Door
5. Steam inlet
6. Condensate outlet
7. Main switch
8. Main power supply
9. Air outlet
10. Suction
11. -
12. -
13. Lint screen cover



STEAM CONNECTION



1. Dryer
2. Steam supply inlet
3. Steam outlet
4. -
5. Filter
6. Solenoid valve (part of delivery)
7. Check valve
8. Steam trap with built-in strainer
9. Vacuum breaker
10. Condensate return line from steam supply line
11. Steam return line
12. Steam supply line
13. Manual steam shut-off valve

MACHINE DIMENSIONS	
Width	1178 mm
Depth	1651 mm
Height	2121 mm
Cylinder - diameter	1118 mm
- depth	1041 mm
- capacity	1025 l
Net weight	625 kg
Air outlet	ø254 mm
Maximum air flow	2700 m ³ /hod
Max. static back pressure at pipeline	80 Pa
STEAM	
Heating power	100 kW
Steam connection	2x G ³ / ₄ "
Steam pressure	max. 0.86 MPa
Condensate drain	2x G ³ / ₄ "
Average steam consumption	
- pressure 0,86 MPa	130 kg/hod
ELECTRICAL DATA	
Power - drive	0.56 kW
- fun	0.75 kW
Voltage system	3+NPE 400 V, 50 Hz
Amps	16 A
Conductor section (mm ² Cu)	4x 2.5
Execution of internal protection	IP 43
Sound of pressure level	66 dB (A)

EXHAUST SYSTEM:

The dryer produces hot humid air (maximum temp. 90°C) and combustible lint. To reduce a risk of fire the dryer must be exhausted to the outdoors by means of exhaust duct connected to exhaust piping.

The design of the flue system shall be such that any a condensate formed when operating the appliance from cold shall either be retained and subsequently re-evaporated or discharged.

If possible, do not install dryers and gas fired hot water heaters or the other gravity vented appliances in the same room.

Use exhaust ducts made of sheet metal or other noncombustible material.

The dryer requires an action related to air which replaced the air exhausted from the dryer. Opening(s) for air supply from outside of the building should be as close to the dryer(s) as possible.

Aerating opening(s) for the make-up air supply required per each individual dryer is 0.24 m².

lavamac	LDR 1025 S	Date:	11/2005	No.	06-106-2.2
		Author:	RJ	Index/date	
TUMBLE DRYER					