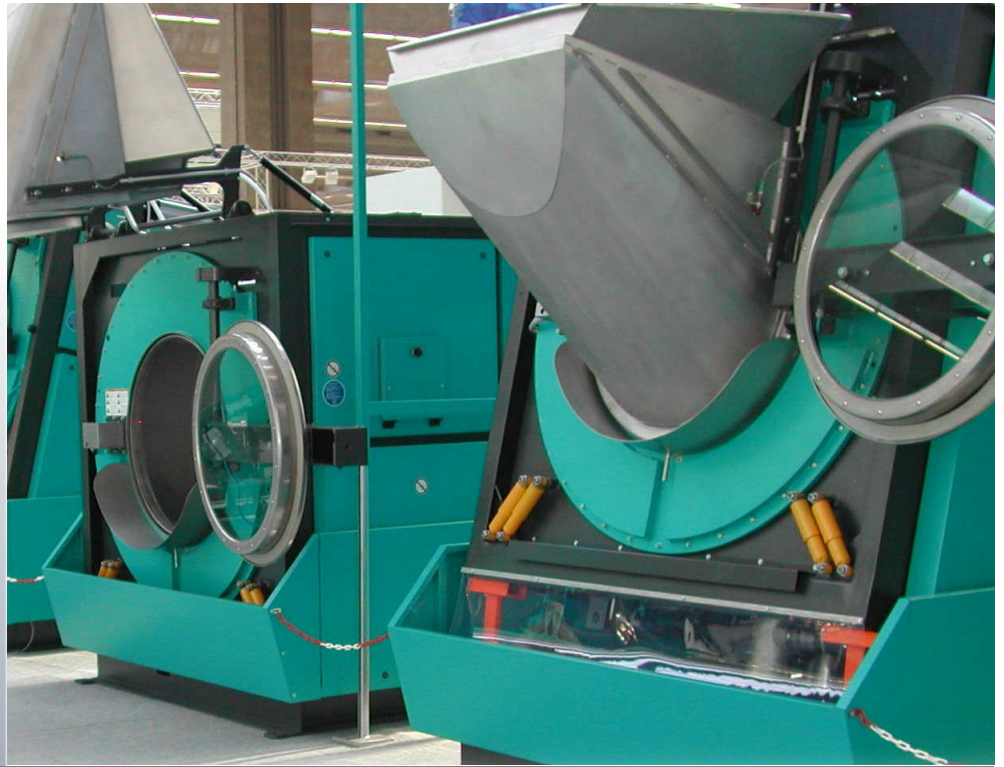


Lavatec LX460

270kg washer extractor

LX460

A very heavy duty industrial washer extractors built to high standards within the EU. Featuring high grade stainless steel drums and casings. A generous sized door makes loading easier. A large, clear Microprocessor control makes the LX460 simple to operate. The machine comes with tilting as standard.



FEATURES

- Microprocessor control
- Large loading door
- High-G suspended drum
- Heating options
- Heavy construction
- Inverter drive

Fully programmable, large simple interface, 99 washing programs

Large, wide-opening automatic door for easy loading.

Full suspension, up to 256G for improved drying times

Steam heating only

Heavy industrial construction, suitable for all application including dustmats

Quiet, efficient, totally flexible, controlled acceleration for better distribution

Thomas Broadbent & Sons Ltd.

Queen Street South
Huddersfield, England
HDI 3EA

Tel: +44 (0)1484 477200

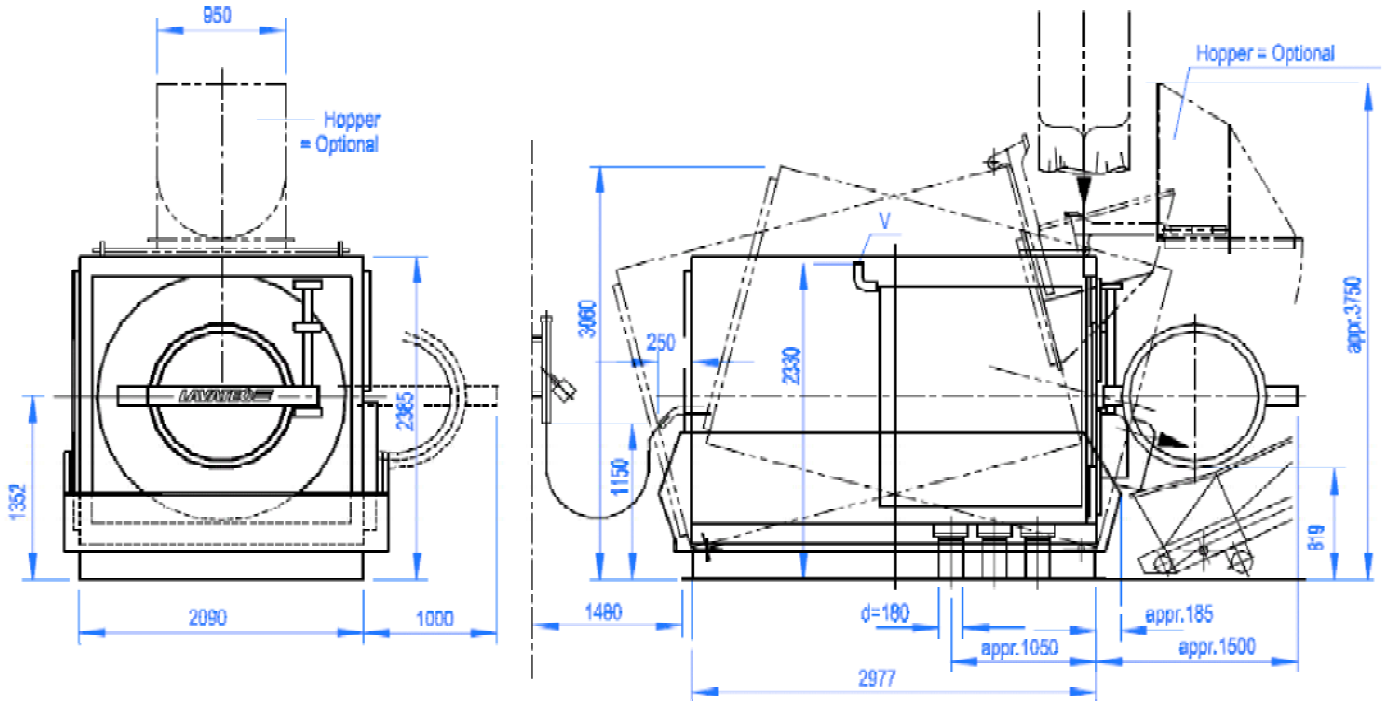
Fax: +44 (0)1484 516142

E-mail: bls@broadbent.co.uk

www.broadbent.co.uk

Technical Data

Lavatec LX460



Capacity	270kg dry weight @ 1:10 Drum dia 1630mm x 1294mm (2700 ltrs drum volume)
Heating Options	Steam heating only – DN40 connection, direct steam injection
Connections	2 x DN50 warm & cold water (option of recovered) 1 x DN180 drain outlet (optional 2nd & 3rd drain outlets) 1x pneumatic 1/2" 7-10 Bar
G-factor	256G, speed control by 3ph AC inverter adjustable between 20 – 530 rpm
Electrical requirements	380-400V / 3ph / 50Hz
Net weight	8200kg
Door diameter	1016mm automatic with two-hand control
Dimensions HxWxD	2400 x 2400 x 3400 approx.
Options	Loading by hopper.

Thomas Broadbent & Sons Ltd.

Queen Street South
Huddersfield, England
HDI 3EA

Tel: +44 (0)1484 477200
Fax: +44 (0)1484 516142
E-mail: bls@broadbent.co.uk
www.broadbent.co.uk