

Lavatec LX425

115kg washer extractor

LX425

A very heavy duty industrial washer extractors built to high standards within the EU. Featuring high grade stainless steel drums and casings. A generous sized door makes loading easier. A large, clear Microprocessor control makes the LX425 simple to operate. The machine is available with a number of tilting options.



FEATURES

- Microprocessor control
- Large loading door
- High-G suspended drum
- Heating options
- Heavy construction
- Inverter drive

- Fully programmable, large simple interface, 99 washing programs
- Large, wide-opening door for easy loading. Automatic on tilting versions
- Full suspension, Hi-G up to 338G for improved drying times
- Steam heating only
- Heavy industrial construction, suitable for all application including dustmats
- Quiet, efficient, totally flexible, controlled acceleration for better distribution

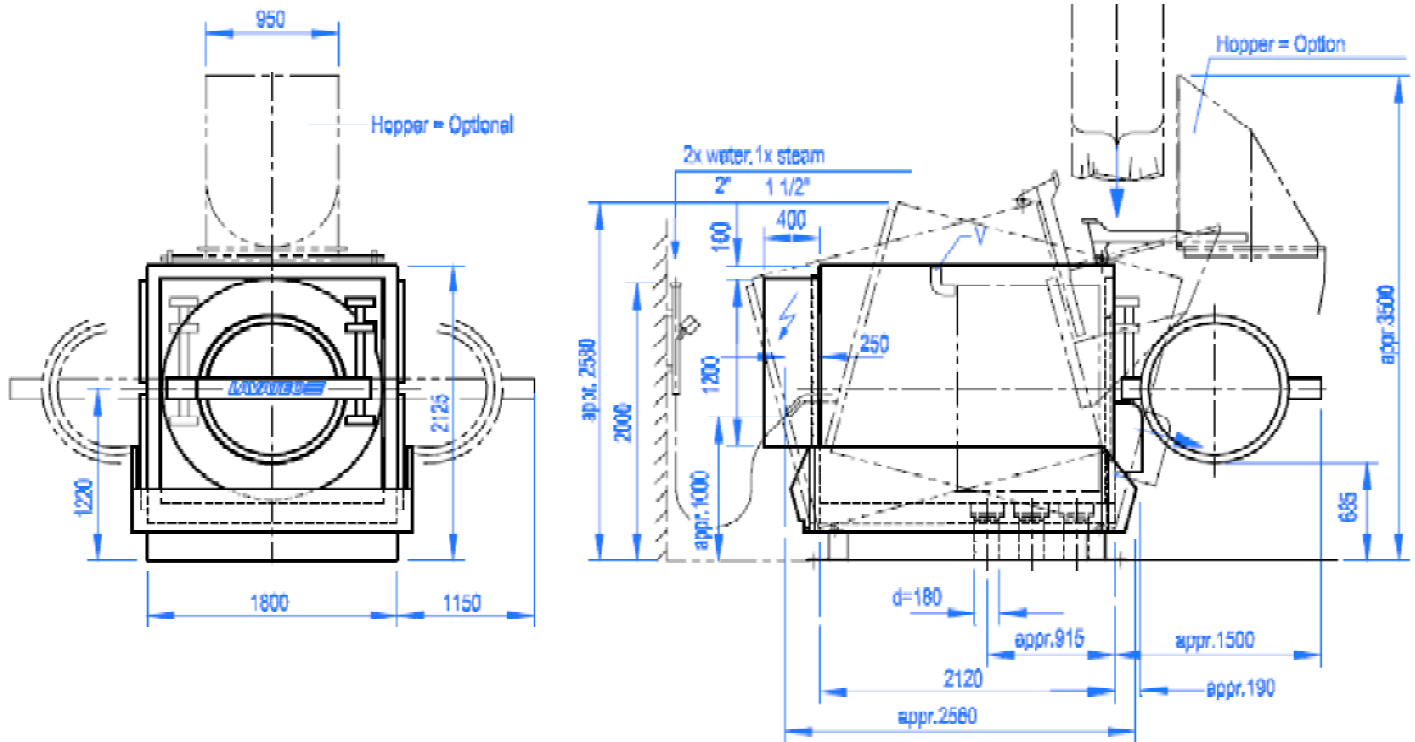
Thomas Broadbent & Sons Ltd.

Queen Street South
Huddersfield, England
HDI 3EA

Tel: +44 (0)1484 477200
Fax: +44 (0)1484 516142
E-mail: bls@broadbent.co.uk
www.broadbent.co.uk

Technical Data

Lavatec LX425



Capacity

115kg dry weight @ 1:1,3 . Drum dia 1410mm x 832mm (1300 ltrs drum volume)

Heating Options

Steam heating only – DN40 connection, direct steam injection

Connections

2 x DN50 warm & cold water (option of recovered) 1 x DN180 drain outlet (optional 2nd & 3rd drain outlets) 1x pneumatic 1/2" 7-10 Bar

G-factor

338G, speed control by 3ph AC inverter adjustable between 20 – 655 rpm

Electrical requirements

380-400V / 3ph / 50Hz

Net weight

4200kg (no tilt), 4300kg (tilt 1-way), 4500kg (tilt 2-way)

Door diameter

1016mm (manual on static mc, automatic on tilting mc)

Dimensions HxWxD

2150 x 2020 x 2560 approx.

Options

Tilt 1-way, Tilt 2-way, Loading by hopper.

Thomas Broadbent & Sons Ltd.

Queen Street South
Huddersfield, England
HDI 3EA

Tel: +44 (0)1484 477200

Fax: +44 (0)1484 516142

E-mail: bls@broadbent.co.uk

www.broadbent.co.uk