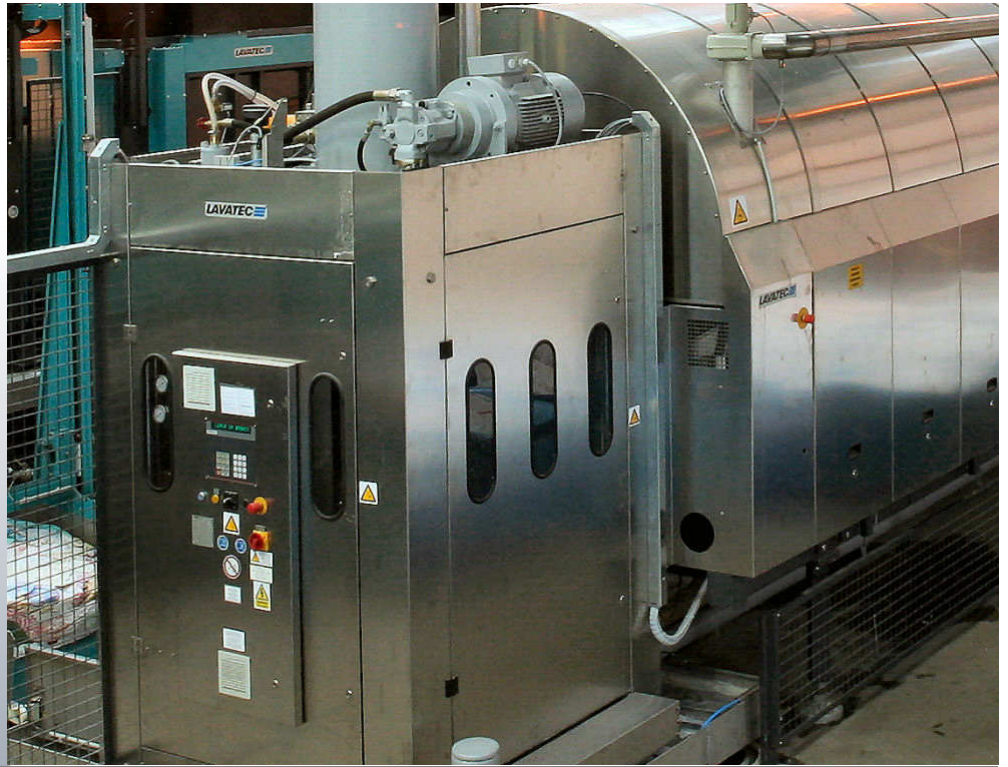


# Lavapress LP57 I

## 27 Bar Moisture Extraction Press

### Lavapress LP57 I

A high performance moisture extraction membrane press with a maximum pressure of 27 Bar. Selectable pressing programs allow the full range of textiles to be processed. A unique drainage plate design gives excellent moisture removal rates and makes this a very economic option.



## FEATURES

- Microprocessor Control
- Standard Lavatec membrane
- Drainage Plate
- Cake conveyor belt
- Extremely heavy duty
- Energy efficient
- Hygienic option
- Handing options

7 selectable programs with 3 selectable pressures 12, 18 & 27 Bar

Compatible with the standard range of Lavatec membranes

Unique drainage plate ensures clear channels are maintained for escaping water

The special conveyor belt material prevents lint blinding.

Maintains the Lavapress tradition for reliability and build quality

Moisture removed in the press is approximately 15 times cheaper than drying

Built in disinfection option for healthcare / hygienic applications

Right, left or axial configurations with various conveyor options

### Thomas Broadbent & Sons Ltd.

Queen Street South  
Huddersfield, England  
HDI 3EA

Tel: +44 (0)1484 477200

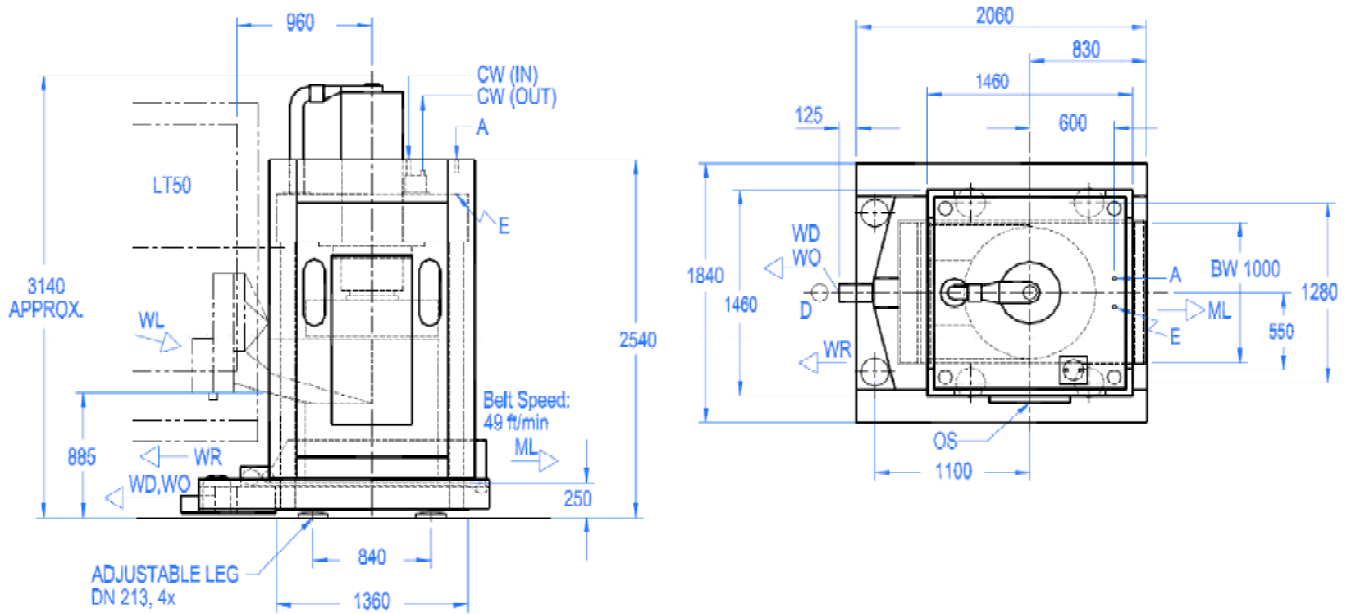
Fax: +44 (0)1484 516142

E-mail: [bls@broadbent.co.uk](mailto:bls@broadbent.co.uk)

[www.broadbent.co.uk](http://www.broadbent.co.uk)

# Technical Data

## Lavatec LP57I 27 bar press



**Capacity**

**35kg, 50kg or 60kg options**

**Connections**

**1 x DN20 cold water, 1 x DN6 air, 1 x DN50 water recovery, 1 x DN100 drain**

**Electrical requirements**

**380 - 400v / 3ph / 50Hz connected load 12.2kW**

**Net weight**

**8500kg**

**Operational dims HxWxD**

**3270 x 1840 x 2060 approx.**

**Thomas Broadbent & Sons Ltd.**

Queen Street South  
Huddersfield, England  
HDI 3EA

Tel: +44 (0)1484 477200

Fax: +44 (0)1484 516142

E-mail: [bls@broadbent.co.uk](mailto:bls@broadbent.co.uk)

[www.broadbent.co.uk](http://www.broadbent.co.uk)