

Lavatec LX445

200kg washer extractor

LX445

A very heavy duty industrial washer extractors built to high standards within the EU. Featuring high grade stainless steel drums and casings. A generous sized door makes loading easier. A large, clear Microprocessor control makes the LX445 simple to operate. The machine comes with tilting as standard.



FEATURES

- Microprocessor control
- Large loading door
- High-G suspended drum
- Heating options
- Heavy construction
- Inverter drive

Fully programmable, large simple interface, 99 washing programs

Large, wide-opening automatic door for easy loading.

Full suspension, up to 256G for improved drying times

Steam heating only

Heavy industrial construction, suitable for all application including dustmats

Quiet, efficient, totally flexible, controlled acceleration for better distribution

Thomas Broadbent & Sons Ltd.

Queen Street South
Huddersfield, England
HDI 3EA

Tel: +44 (0)1484 477200

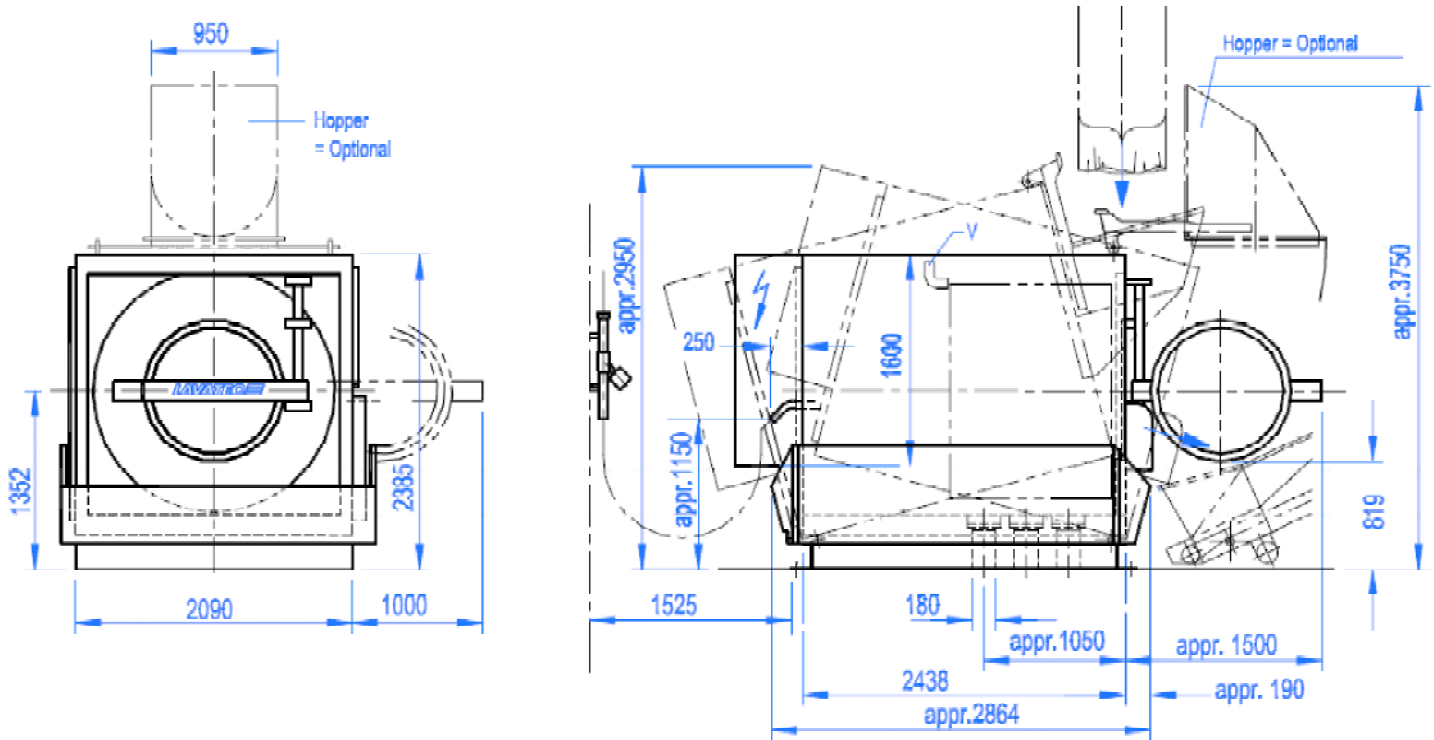
Fax: +44 (0)1484 516142

E-mail: bls@broadbent.co.uk

www.broadbent.co.uk

Technical Data

Lavatec LX445



Capacity

200kg dry weight @ 1:10,5 . Drum dia 1630mm x 1016mm (2110 ltrs drum volume)

Heating Options

Steam heating only – DN40 connection, direct steam injection

Connections

2 x DN50 warm & cold water (option of recovered) 1 x DNI80 drain outlet (optional 2nd & 3rd drain outlets) 1x pneumatic 1/2" 7-10 Bar

G-factor

256G, speed control by 3ph AC inverter adjustable between 20 – 530 rpm

Electrical requirements

380-400V / 3ph / 50Hz

Net weight

6400kg

Door diameter

1016mm automatic with two-hand control

Dimensions HxWxD

2400 x 2400 x 3140 approx.

Options

Loading by hopper.

Thomas Broadbent & Sons Ltd.

Queen Street South
Huddersfield, England
HDI 3EA

Tel: +44 (0)1484 477200

Fax: +44 (0)1484 516142

E-mail: bls@broadbent.co.uk

www.broadbent.co.uk