

# Lavatec LX325

## 110kg hygienic washer extractor

### LX325

A very heavy duty industrial barrier washer extractor built to high standards within the EU. All components with in contact with water are from high-grade stainless. The machine is available with a 2 or 3 pocket drum, which uses heavy duty bearings and an efficient AC inverter drive. A touch-screen PLC controls all of the wash parameters including the hygienic operation.



### FEATURES

- Microprocessor control
- Large loading door
- High-G suspended drum
- Heating options
- Heavy construction
- Inverter drive

- Fully programmable, large simple interface, 99 washing programs
- Large, wide-opening door for easy loading / unloading (option for single sided m/c)
- Full suspension, Hi-G up to 395G for improved drying times
- Steam heating only
- Heavy industrial construction, suitable for all hygienic applications
- Quiet, efficient, totally flexible, controlled acceleration for better distribution

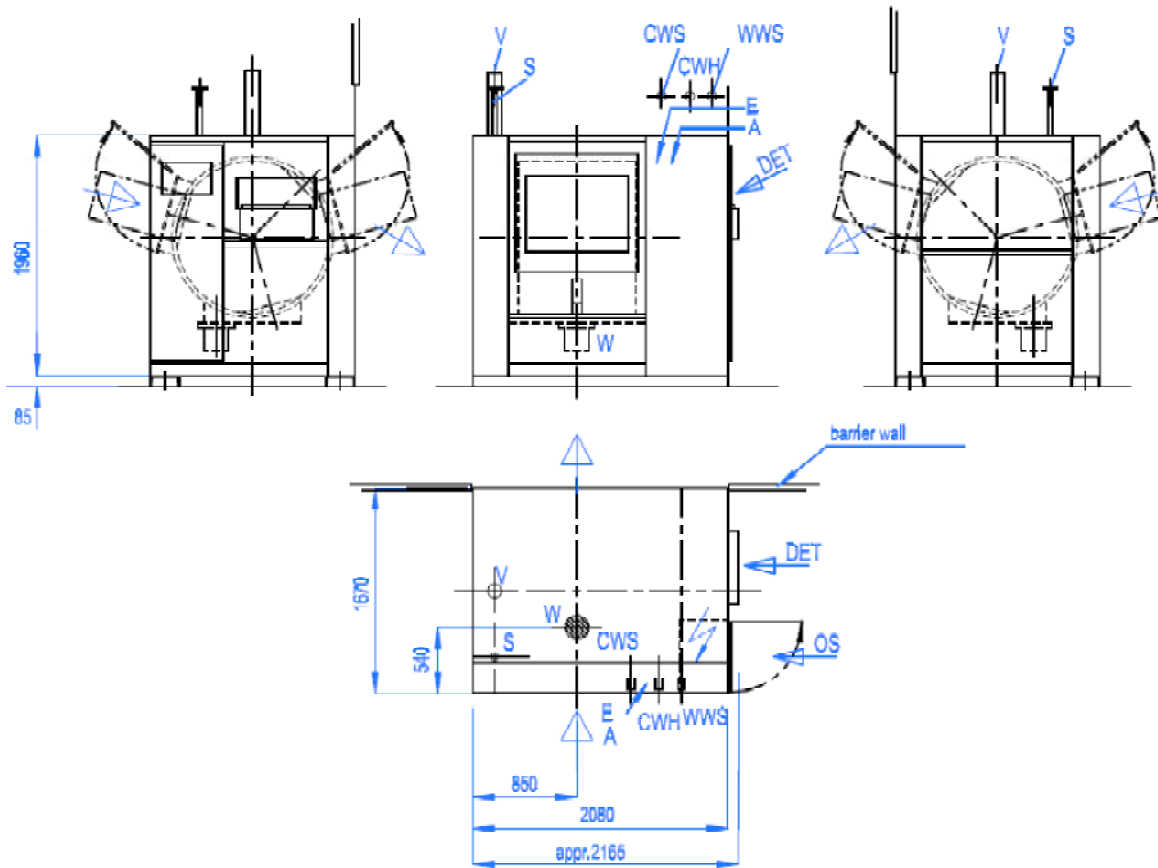
#### Thomas Broadbent & Sons Ltd.

Queen Street South  
Huddersfield, England  
HDI 3EA

Tel: +44 (0)1484 477200  
Fax: +44 (0)1484 516142  
E-mail: [bls@broadbent.co.uk](mailto:bls@broadbent.co.uk)  
[www.broadbent.co.uk](http://www.broadbent.co.uk)

# Technical Data

## Lavatec LX325



<b>Capacity</b>	<b>113kg dry weight @ 1:10 . Drum dia 1250mm x 950mm (1130 ltrs drum volume)</b>
<b>Heating Options</b>	<b>Steam heating only – DN40 connection, direct steam injection</b>
<b>Connections</b>	<b>2 x DN32 warm &amp; cold water (option of recovered) 1 x DNI25 drain outlet (optional 2nd drain outlets) 1 x pneumatic 1/2” 7-10 Bar</b>
<b>G-factor</b>	<b>395G, speed control by 3ph AC inverter adjustable between 10 – 750 rpm</b>
<b>Electrical requirements</b>	<b>380-400V / 3ph / 50Hz</b>
<b>Net weight</b>	<b>3500kg (without recovery tanks), 4500kg (operating weight)</b>
<b>Door dimensions</b>	<b>740mm x 400mm loading and unloading</b>
<b>Dimensions HxWxD</b>	<b>2060 x 2200 x 1700 approx.</b>
<b>Options</b>	<b>Water recycling system with tanks on top of m/c - approx. 40% saving in water</b>

**Thomas Broadbent & Sons Ltd.**

Queen Street South  
Huddersfield, England  
HDI 3EA

Tel: +44 (0)1484 477200  
Fax: +44 (0)1484 516142  
E-mail: [bls@broadbent.co.uk](mailto:bls@broadbent.co.uk)  
[www.broadbent.co.uk](http://www.broadbent.co.uk)