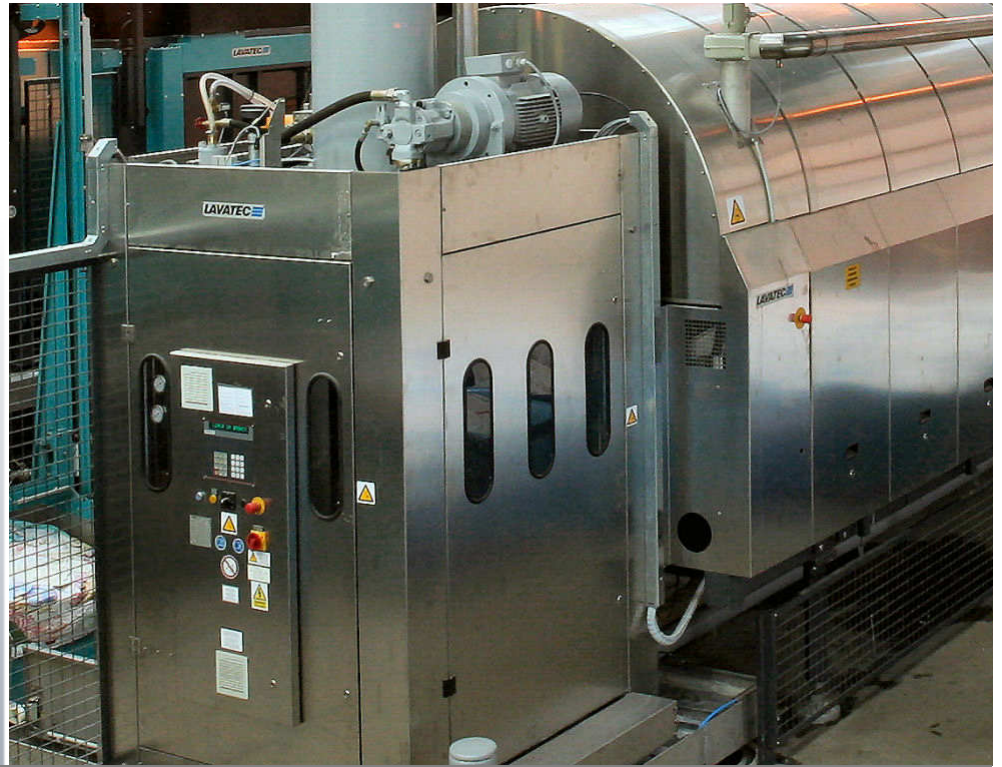


# Lavapress LP582

## High Pressure 70kg Extraction Press

### Lavapress LP582

A high performance moisture extraction membrane press with a maximum pressure of 50 Bar. A proportional hydraulic controller ensures that pressure can be applied as gently or as forcefully as necessary, depending on the type of linen. A unique drainage plate design and the flexible control make this a most efficient means of moisture removal.



### FEATURES

- Proportional Control
- Standard Lavatec membrane
- Drainage Plate
- Cake conveyor belt
- Extremely heavy duty
- Energy efficient
- Hygienic option
- Handing options

**Totally programmable control, pressure selectable between 0 and 50 Bar**

**Compatible with the standard range of Lavatec membranes**

**Unique drainage plate ensures clear channels are maintained for escaping water**

**The special conveyor belt material prevents lint blinding, even at high pressure.**

**Maintains the Lavapress tradition for reliability and build quality**

**Moisture removed in the press is approximately 15 times cheaper than drying**

**Built in disinfection option for healthcare / hygienic applications**

**Right, left or axial configurations with various conveyor options**

#### Thomas Broadbent & Sons Ltd.

Queen Street South  
Huddersfield, England  
HDI 3EA

Tel: +44 (0)1484 477200

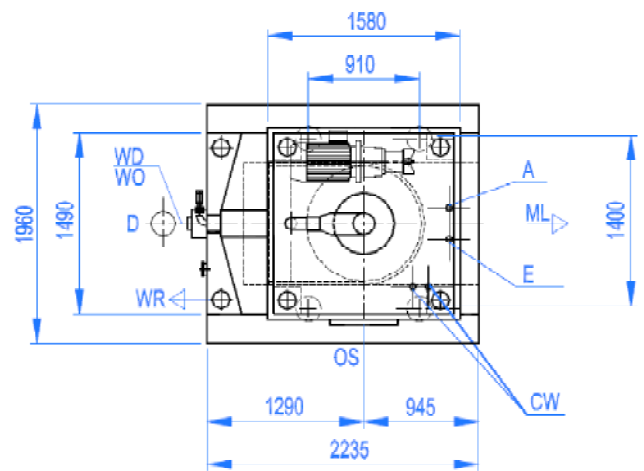
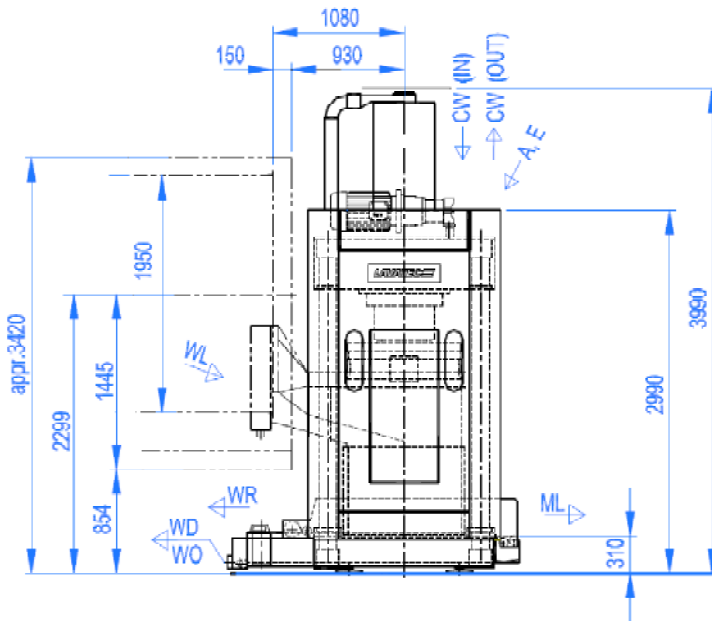
Fax: +44 (0)1484 516142

E-mail: [bls@broadbent.co.uk](mailto:bls@broadbent.co.uk)

[www.broadbent.co.uk](http://www.broadbent.co.uk)

# Technical Data

## Lavatec LP582 70kg 50 bar press



**Capacity**

**70kg dry weight**

**Connections**

**1 x DN20 cold water, 1 x DN6 air, 1 x DN50 water recovery, 1 x DN100 drain**

**Electrical requirements**

**380 - 400v / 3ph / 50Hz connected load 19.7kW**

**Net weight**

**12900kg**

**Operational dims HxWxD**

**3990 x 1960 x 2360 approx.**

**Thomas Broadbent & Sons Ltd.**

Queen Street South  
Huddersfield, England  
HDI 3EA

Tel: +44 (0)1484 477200

Fax: +44 (0)1484 516142

E-mail: [bls@broadbent.co.uk](mailto:bls@broadbent.co.uk)

[www.broadbent.co.uk](http://www.broadbent.co.uk)