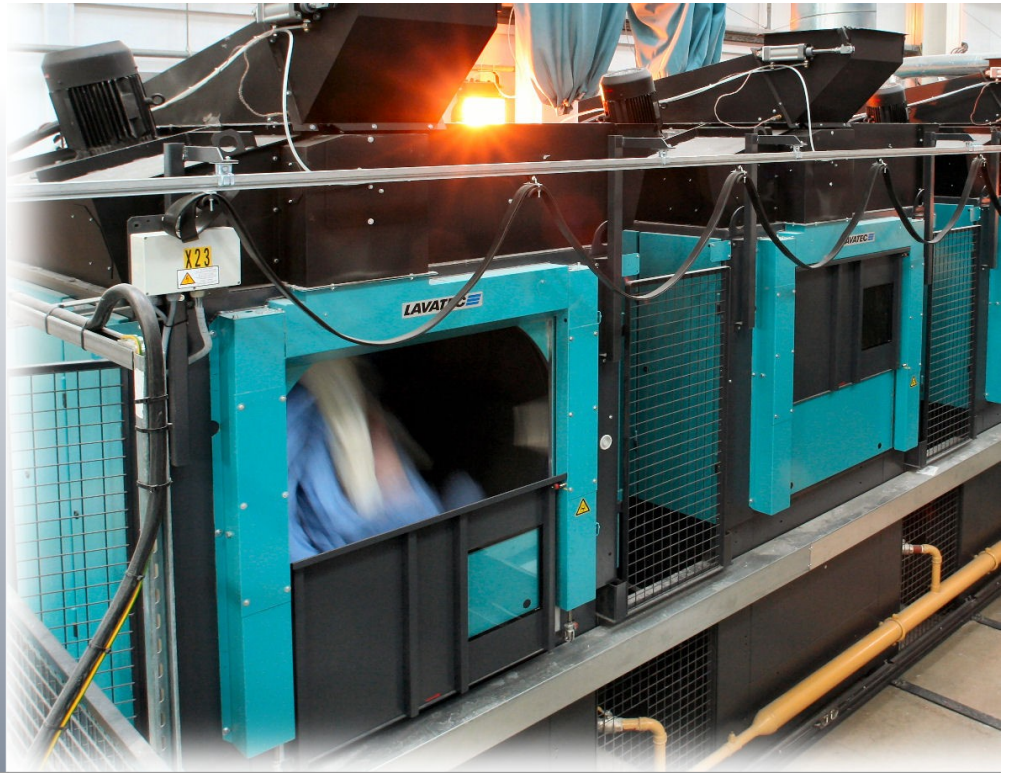


# Lavatec TT735G

## 75kg gas tumble dryer

### TT735G

A high performance automatic batch tumble dryer. Loading through a large front door with air assisted discharge at the rear. Efficient radial and axial airflow with options for automatic lint collection. Available with tilting to help unloading and Infra-red drying control. Air-recirculation and cooldown are standard.



## FEATURES

Microprocessor control

Efficient forced air burner

Energy efficient

Heating options

Heavy construction

Lint collection options

Large simple interface, 99 drying programs, interfaces with most manufacturers

Fully CE & TUV type approval, high performance burners, two options available

Low running and maintenance costs, options for high efficiency LoNox burner

Natural Gas, LPG Gas

Heavy industrial construction, suitable all applications including dustmats

Standard automatic lint collection in base, optional of lint collection in side, option of central lint collection from several dryers to one point

### Thomas Broadbent & Sons Ltd.

Queen Street South  
Huddersfield, England  
HD1 3EA

Tel: +44 (0)1484 477200

Fax: +44 (0)1484 516142

e-mail: [bls@broadbent.co.uk](mailto:bls@broadbent.co.uk)

[www.broadbent.co.uk](http://www.broadbent.co.uk)

# Technical Data

## Lavatec TT735G

### Connected loads & consumption

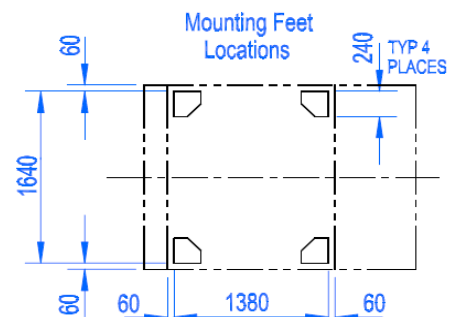
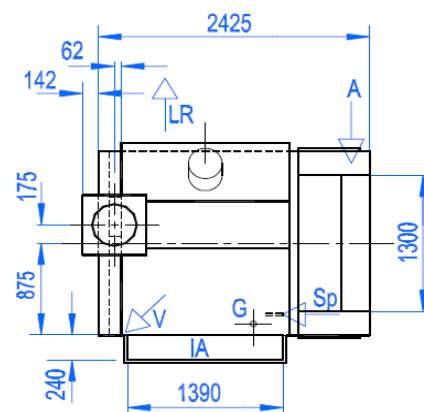
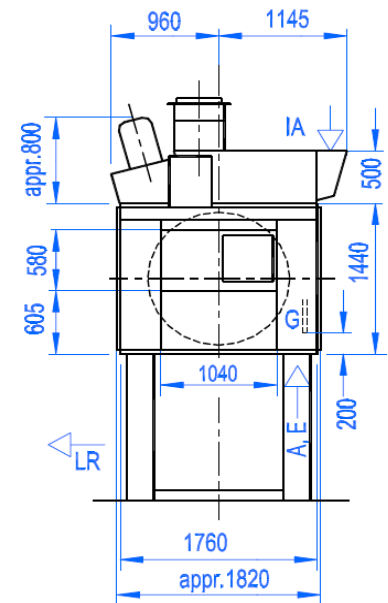
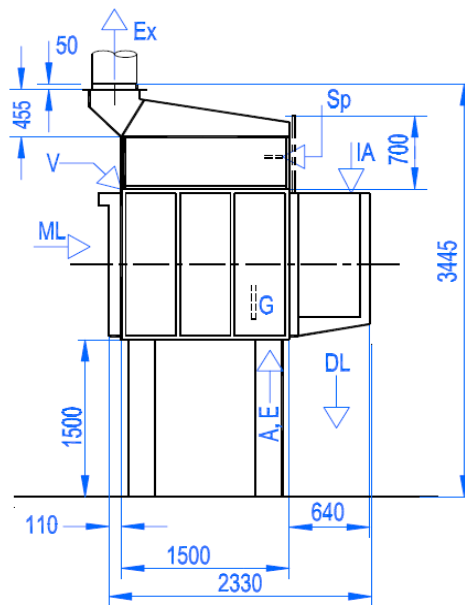
	Nom	Max
Electric	10.2kW	8.7kWh
Nat Gas	25.9m <sup>3</sup> /h	19.4m <sup>3</sup> /h
LPG Gas	19m <sup>3</sup> /h	14.2m <sup>3</sup> /h
Nom heating	245kW	
Pneumatic	250l/h	200l/h
Exhaust air	2000 to 7600m <sup>3</sup> /h	

### Packing dimensions

Width	2350mm
Height	2500mm
Depth	2550mm

### Connection details

	Key	Size
Gas	G	DN40
Pneumatic	A	DN8
Exhaust	EX	DN400
Electric	E	
Sprinkler (optional)	SP	DN25



### Loading Capacity

95kg @ I : 20      76kg @ I : 25      64kg @ I : 30      drum vol = 1900 ltrs

### Weight

Net 1750kg      Operating 1900kg

### Heating options

Natural Gas (30 mBar)      LPG Gas (50 mBar)      Optional high performance burner

### Thomas Broadbent & Sons Ltd.

Queen Street South  
Huddersfield, England  
HD1 3EA

Tel: +44 (0)1484 477200

Fax: +44 (0)1484 516142

e-mail: [bls@broadbent.co.uk](mailto:bls@broadbent.co.uk)

[www.broadbent.co.uk](http://www.broadbent.co.uk)