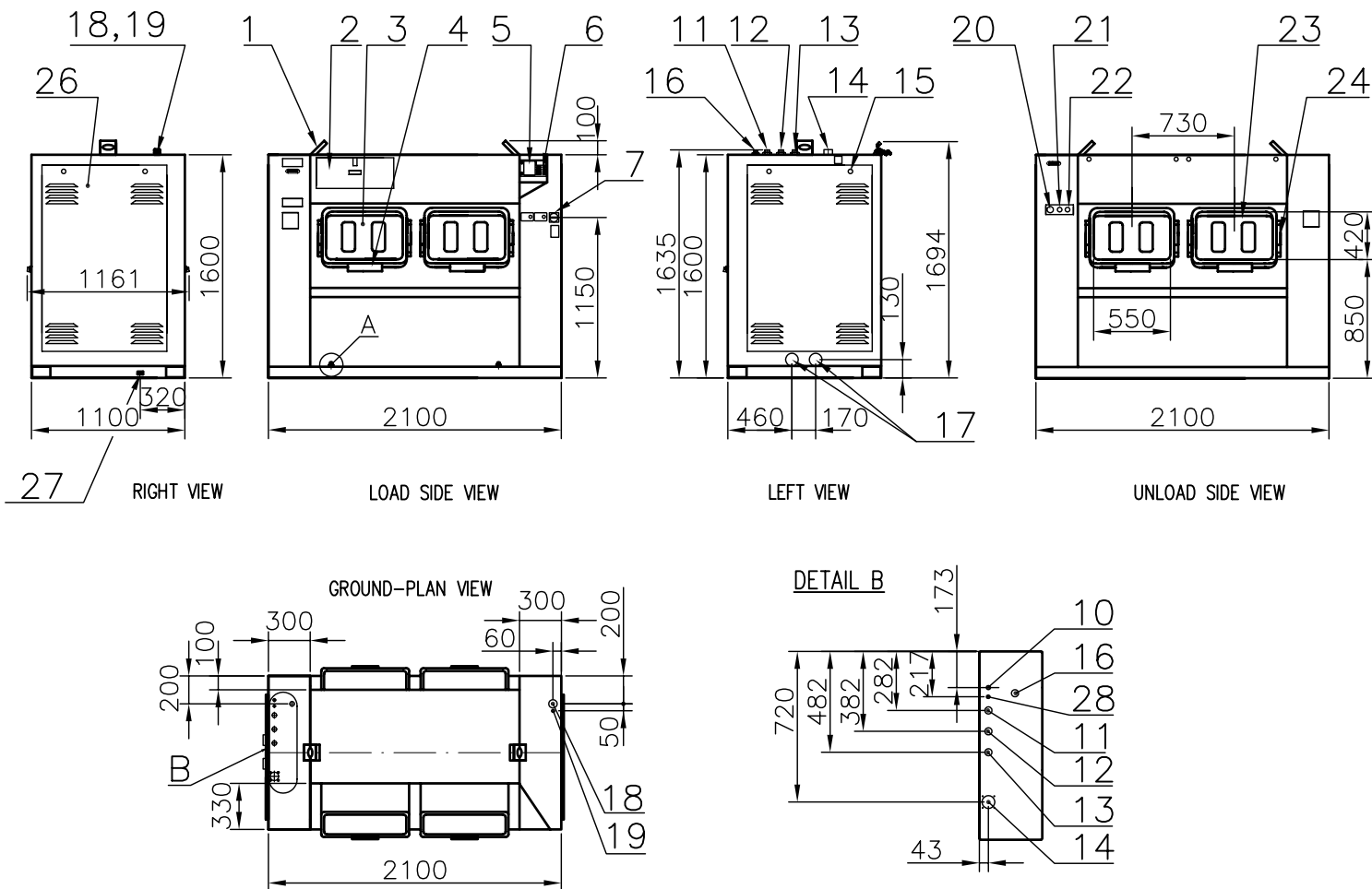


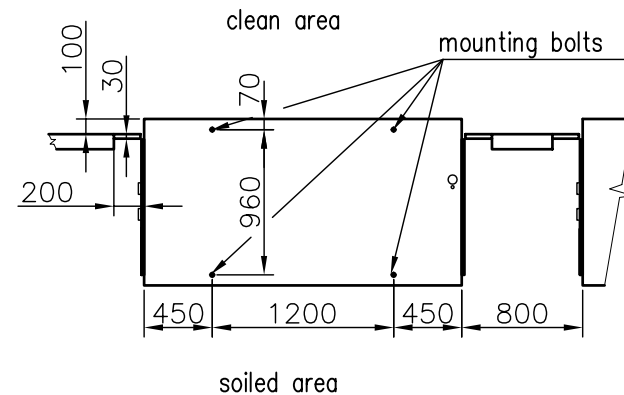
Dimensions and components placement of the machine



LEGEND

1. Suspension eyes
2. Soaphoppers
3. Door of the load side
4. Door handle
5. Display
6. Keyboard
7. Main switch
8. Button of the door lock unblocking
9. Button of the drum positioning
10. Liquid detergent inlet
11. Soft cold water inlet 1"
12. Hard cold water inlet 1"
13. Hot water inlet 1"
14. Drum ventilation
15. Service panel lock
16. Steam supply (version with steam heating)
17. Drain 3"
18. Power supply (version with electrical heating)
19. Power supply (the other version)
20. Emergency stop button
21. Button of the door lock unblocking
22. Button of drum positioning
23. Unload side door
24. Door brace
25. Name plate
26. Right service panel
27. Earthing clamp
28. Compressed air input (version with air operated control of water valves)

FOUNDATION PLAN VIEW



FASTENING THE MACHINE

The machine will be firmly screwed to the floor and must reliably rest in all four footings of the machine! The floor have to correspond to requirements of loading and vibrations. Using the water level, check the position of the machine base frame which must be laid horizontally. The machine is fixed using the anchors (for type see table). The tightening torque – 100 Nm.

WATER CONNECTION

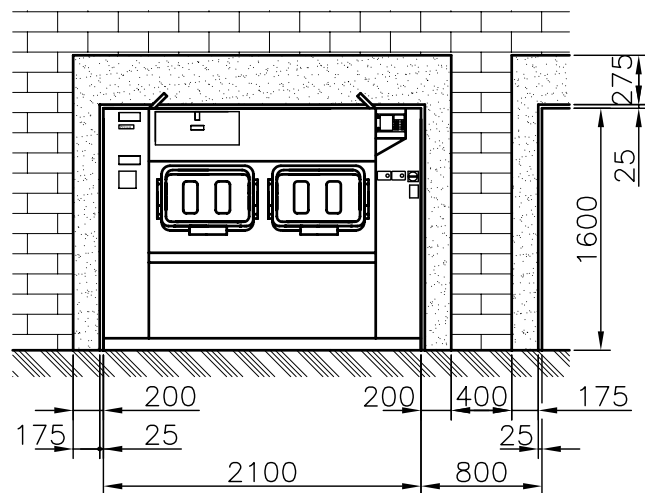
The washing machine has been designed for connection of three waters (cold hard, cold soft and hot). It is also necessary to connect all available waters to a water supply. Inlet valves 1" for cold and hot water are delivered with the machine. Mount shut-off valves 1" to the water supply pipes. For connection of the machine to water inlet shut-off valves we recommend to use enclosed flexible hoses (960mm long) with couplings 1".

WATER DRAIN CONNECTION

The washer is equipped with 2 pcs drain pipes of 76mm diameter without pump. These must be connected to the waste sump or central waste drain. For these purposes you can use rubber elbow, which is a part of delivery. Put the stench trap in drain pipe. The maximum temperature of waste water from washer is 70÷80°C (for programm No.1 – hot washing). Quantity of draining water – 386 l/min.

TECHNICAL SPECIFICATION

Type:	LMA 660
Capacity: load ratio 1:10	66 kg / 145 lb
Inner drum dimension: diameter depth	750 mm / 29,5" 2x 750 mm / 2x 29,5"
Drum volume	663 dm ³ / 175.2 gal
Drum revolutions: wash distribution low extraction high extraction	41 rpm 70 rpm 550 rpm 915 rpm
G-factor: low extraction high extraction	127 351
Machine dimensions: width depth height	2100 mm / 82.7" 1100 mm / 43.3" 1600 mm / 63"
Weight netto brutto	1360 kg / 2998 lb 1510 kg / 3329 lb (crate)
Machine electrical system:	3PEN~50Hz 400/230V / TN-C
Rated motor power:	7.5 kW
Rated heating power input (E version):	54 kW
Rated input power of the machine	E: 62 kW S: 8 kW
Power supply protection: with electrical heating: without heating:	54kW/3AC 400V/120A 3AC 400V/32A
Motor overloading protection:	internal electronical overheating protection in inverter
Conductors section:	E: 4 x 25 mm ² Cu S: 4 x 4 mm ² Cu
Water connections: water pressure water connection drain connection	0.2÷0.6 MPa / 2 ÷ 6 bar 3x 1" 2x Ø76 mm / 2x Ø3"
Version with steam heating (S): steam connection steam pressure average steam consumption: maximum steam consumption:	3/4" 0.3÷0.8 MPa / 45 ÷ 116 psi 66 kg/hour / 145 lb/hour 0.085 kg/sec / 0.19 lb/sec
Compressed air – option: air connection air pressure:	1/4" 0.4÷1 MPa / 58 ÷ 145 psi
Number of soaphoppers:	5
Connections to liquid detergents:	1 for manifold set
Max. static load (kg) (with textile and water)	1757 kg / 3874 lb
Max. dynamic load (kg) (intermittent vibrations)	±380 kg / ±838 lb
Frequency of dynamic load (Hz)	15 Hz
Mounting bolts:	4xAE B24x210 M16/100



Place between a wall and the machine fill up with a plaster cardboard with maximum width 30 mm. The plaster cardboard fix to the wall by thin-walled profile structure. Gap between the machine and structure fill up with a foam rubber or any other compressible material.

lavamac

**LMA
660**

Date: 25.04.01 No. 01-117-2.1
Author: T.R. Index/date C/08.2006

HYGIENIC BARRIER WASHER