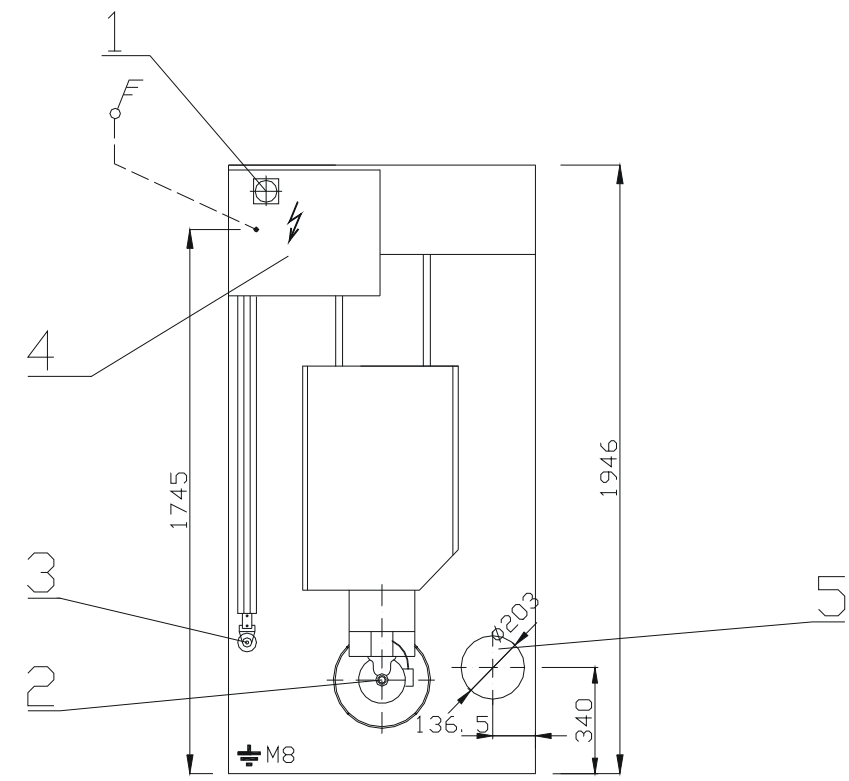
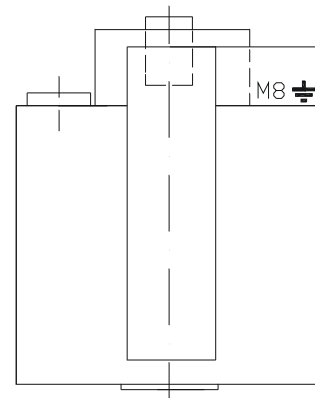


FRONT VIEW



BACK VIEW



PLAN VIEW

- 1-disconnect switch
- 2-suction-fan motor
- 3-air flow switch
- 4-electrical junction box
- 5-exhaust duct

TECHNICAL SPECIFICATION

Capacity:	24 kg
Max. load ratio 1:22	24 kg
Drum dimension:	∅ 940 x 762 mm
Drum volume:	528 dm ³
Electrical system:	3+PEN 400V, 50Hz
Electrical input:	30,36 kW
Safe-guarding:	50 Amp
Conductors section:	4x10 mm ² Cu
Motor power:	0,36 kW
Max. air flow:	1530 m ³ /hour
Pressure:	125 Pa
Dimensions:	
width	981 mm
depth	1194 mm
height	1946 mm
Weight:	
net	252kg
gross	292kg

For maximum efficiency and minimum lint accumulation, tumbler air must be exhausted to outdoors by shortest route.

Exhaust ducts shall be constructed of sheet metal or other noncombustible material.

Maximum allowable length to venting is 14 feet(4.3m) and two 90°elbows or equivalent. If equivalent length of a duct required for installation exceeds maximum allowable equivalent length, diameter of a round duct must be increased by 10% for each additional 20 feet(6.1m).

90°elbow quantity	maximum length of metal duct ∅203
0	9.96 m
1	7.13 m
2	4.3 m

-for additional elbow extra is need subtract 2.83 m

With tumbler in operation, airflow at any point in duct must be at least 1200 feet (366m) per minute to insure that remains airborne.

There is possible to join max. 6 tumblers at the collector duct, individual tumbler ducts must enter at a 45°angle in direction of air flow. Never connect a tumbler duct at a 90°angle to collector duct.

Recommendation duct enlargement:

quantity	min. duct diameter
2	305
3	381
4	432
5	483
6	533

lavamac LAUNDRY SYSTEMS	LDR530 E	Date	28.2.03	No	06-103-2.1
		Author	T.R.	Index	
		INDUSTRIAL TUMBLER DRYER			